

Silen Space 1.5

Private orbit with room to spare

Even team players need time and space to dive deep on their own. That's when insights and discoveries happen. This spacious privacy pod reduces the world to a whisper, so your mind can focus for hours on end.



Ultimate two-way privacy
Market-leading in performance. Blocks 41 dB outside noise, 30 dB (Class A) inside speech. Office-tested, ISO-approved in the laboratory.

Comfortable
Ergonomic, quiet, echo-free, and speech-optimized. Automated LEDs and ventilation. Over twice the standard airflow rate.

Movable
Hidden wheels allow effortless relocation in the office. Prefabricated design offers easy disassembly and reassembly when moving.

Spacious
Ample space to sit, stretch, stand, and move around. Available with furniture of your choice.

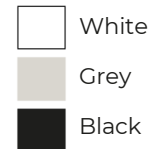
Endless customization
Swap side skins and cover trims with a snap of a magnet. Choose from a variety of colors, fabrics, and furnishing options.

Sustainable
Fully renewable with a 20+ year lifespan. Designed sustainably across materials, production, and impact on surrounding environments.

Interior colour
Standard colours



Exterior colour
Standard colours*

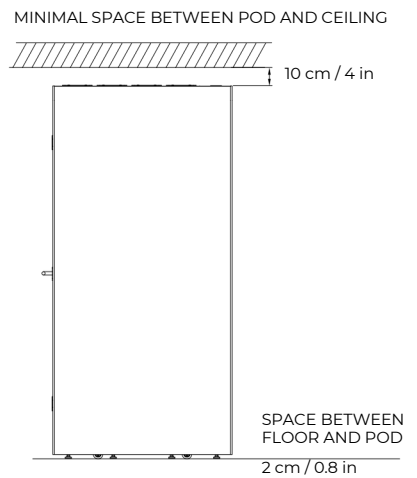
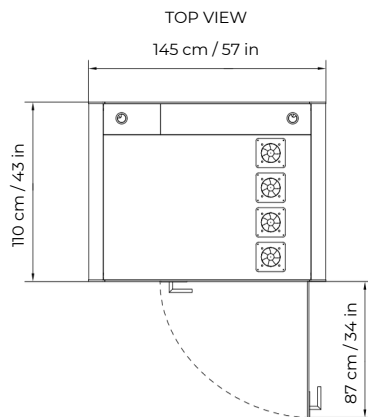
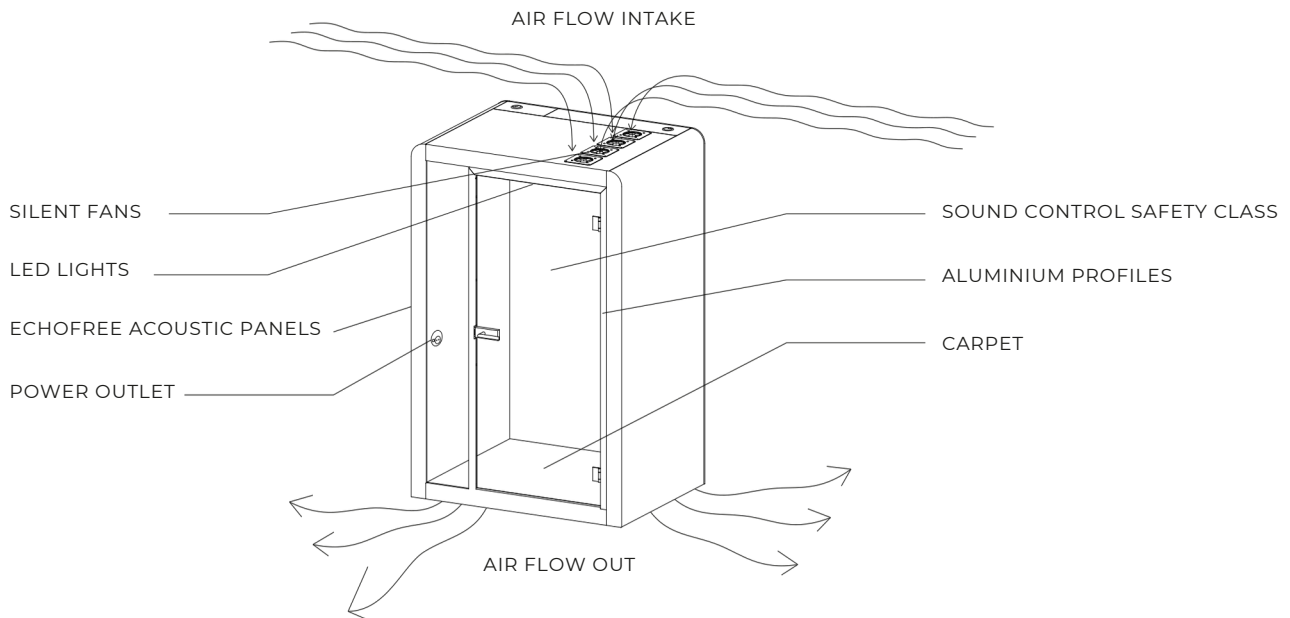
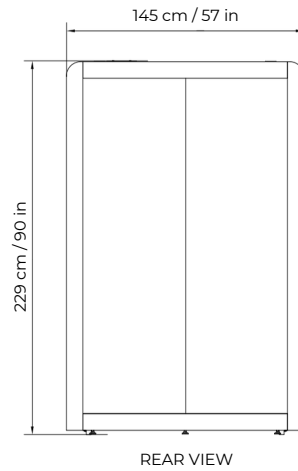
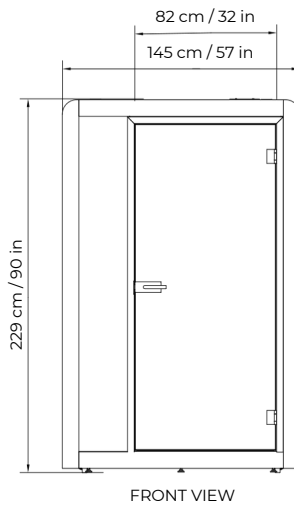
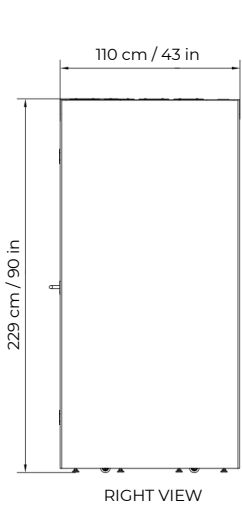


Additional colours for extra fee



Textile sides Camira Quest





Space 1.5 technical specification

GENERAL PRODUCT INFO

Exterior size (W×D×H)	145 × 110 × 229 cm / 57 × 43 × 90 in
Interior size (W×D×H)	125 × 101 × 205 cm / 49 × 40 × 81 in
Weight (net)	428 kg / 944 lb
Weight with crate	555 kg / 1224 lb
Exterior	<p>Side panels: Metal sheet with sand-structured powder coating. Fixed with magnets and easily exchangeable.</p> <p>Front and back trims: Covered with medical-grade antibacterial laminate. Fixed with magnets and easily exchangeable.</p>
Glass	Sound Control laminated safety glass. Sound insulation STC 40 dB
Walls/structure	EchoFree panel - sandwich element and structure of FSC™ birch plywood, ecological foam and acoustic felt. Sound insulation STC 49 dB. Acoustic absorption class A
Roof	EchoFree panel - sandwich element of birch plywood and acoustic felt. Sound insulation STC 49 dB. Acoustic absorption class A
Floor	Sandwich element of birch plywood, acoustic wool. Acoustic absorption Class B
Carpet	Antistatic and stain resistant low loop pile carpet for public spaces, EN 1307. Flammability B _{fl-s1}
Door handedness	Right-handed door
Furniture	Optional. Different sets are available
Air ventilation	Low energy-consumption automatic air circulation system (stand by 3,4W; in operation 6,8W). Air circulation speed is at least 50 l/s
Electrical connections	Black socket with 110-240 V (10 A) + USB-A+C
Power cord	5m long cord with plug type depending on the region. Connection either from the top or bottom of the pod, can be chosen during installation.
Lighting	3000K or 4000K automatic LED lightning (13,4 W, 1800 lm). Low consumption, energy-efficient
Casters	For moving during installation and easy relocation. Hidden. Can be activated any time.
Adjustable legs	For levelling. Levelling from inside the booth

CERTIFICATION

Product safety	UL962 Listed
Electrical safety	CE-mark / UL962 Listed
Fire safety	Class A according to UL 723, ASTM E84, ASTM E162 (walls and ceiling)
Emissions	Indoor Advantage™ Gold certified by SCS Global Services
Speech level reduction	30,1 dB / Class A according to ISO 23351-1, measured in accredited lab
Airborne sound insulation R' _w	40 dB according to ISO 16283-1 and ISO 717-1, measured on site by an accredited specialist
Sound transmission class STC	41 dB according to ASTM E90, measured on site by an accredited specialist



Space 1.5 extra features



Self-closing door hinges



Retractable coat/bag hook



Control panel



Sprinkler prep



Seismic kit



Occupancy light

EXTRA FEATURE

Self-closing door hinges

LAN/RJ45/HDMI connections

Control panel

Airflow dimmer, light brightness dimmer, light temperature selection and controls for optional extras (face light, smart glass etc.)

Occupancy light

Frosted film on glass

Retractable coat/bag hook

Sprinkler prep

Knockout with a tube inside. The ceiling module for housing a sprinkler. Does not include a sprinkler. Sprinkler needs to be installed by a certified company.

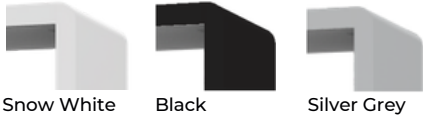
Seismic kit

Brackets to mount the floor module to the existing floor with anchor bolts



Options for surfaces

Standard colours



Snow White Black Silver Grey

Veneer



Oak Veneer Dark Oak Veneer

Extra colours

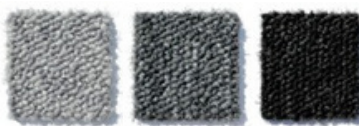


Standard wall and ceiling



Light gray Dark gray Black Sand

Standard floor



Light gray Dark gray Black

Standard profiles



White Anodized gray Black

Textile sides (Camira Quest)*



* Only for Silén Dynamics Generation

Fully upcycled Furniture textiles with 70% marine plastic content

