

Silen Space 1

Personal escape pod

When you need focus on a call, office noise doesn't help. And your call can distract others nearby. Escape to the pod for silence and privacy.



Ultimate two-way privacy
Market-leading in performance. Blocks 41 dB outside noise, 30 dB (Class A) inside speech. Office-tested, ISO-approved in the laboratory.

Comfortable
Ergonomic, quiet, echo-free, and speech-optimized. Automated LEDs and ventilation. Over twice the standard airflow rate.

Movable
Hidden wheels allow effortless relocation in the office. Prefabricated design offers easy disassembly and reassembly when moving.

Spacious
Ample space to sit, stretch, stand, and move around. Available with furniture of your choice.

Endless customization
Swap side skins and cover trims with a snap of a magnet. Choose from a variety of colors, fabrics, and furnishing options.

Sustainable
Fully renewable with a 20+ year lifespan. Designed sustainably across materials, production, and impact on surrounding environments.

Interior colour
Standard colours



Exterior colour
Standard colours*

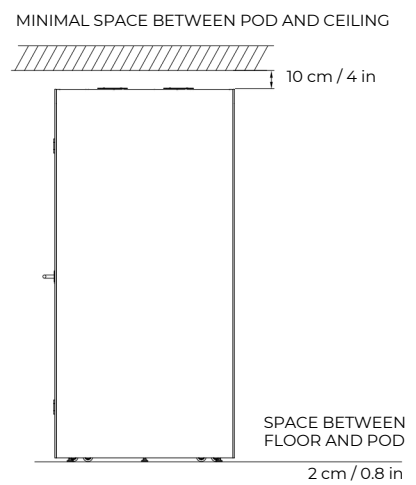
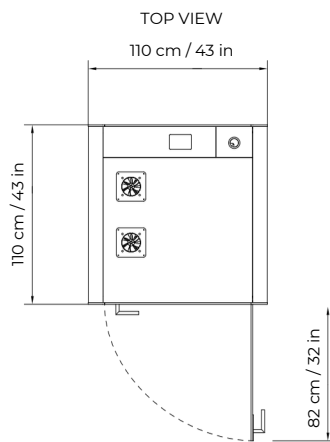
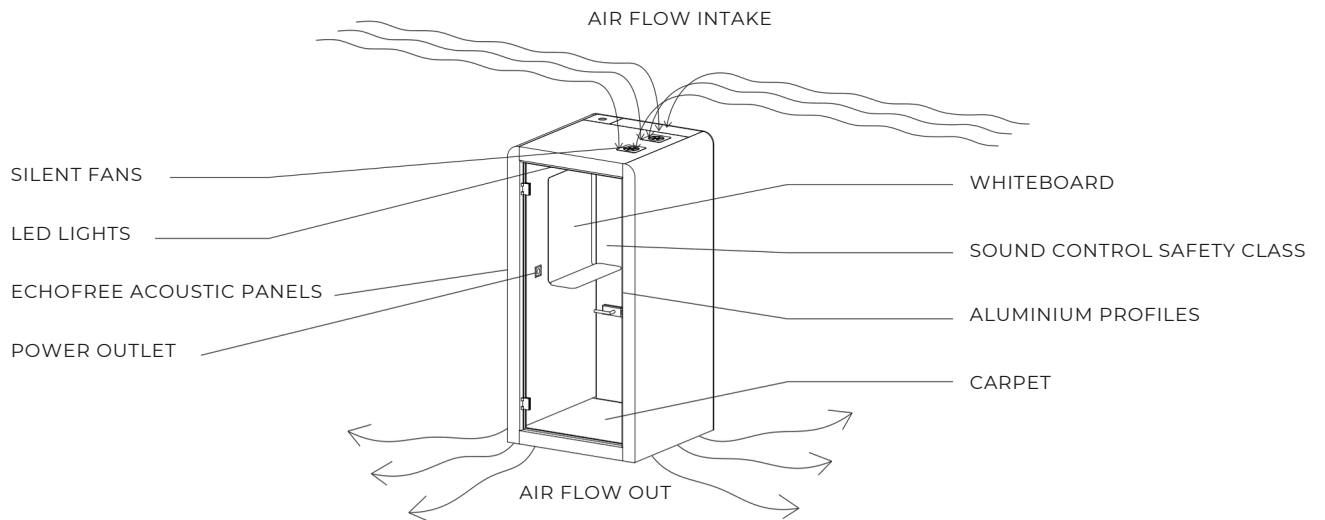
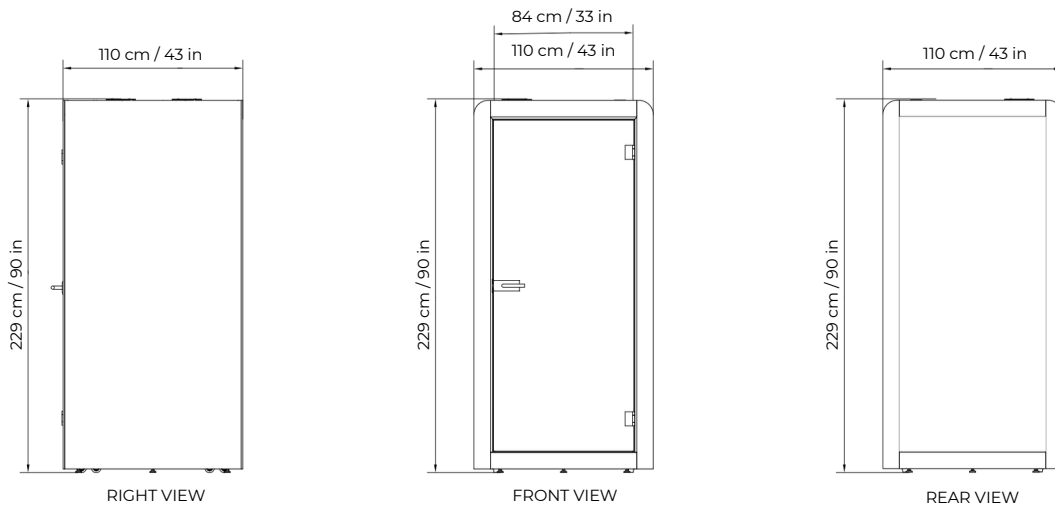


Additional colours for extra fee



Textile sides Camira Quest





Space 1 technical specification

GENERAL PRODUCT INFO

| | |
|------------------------|--|
| Exterior size (W×D×H) | 110 × 110 × 229 cm / 43 × 43 × 90 in |
| Interior size (W×D×H) | 90 × 101 × 205 cm / 35 × 40 × 81 in |
| Weight (net) | 370 kg / 816 lb |
| Weight with crate | 500 kg / 1102 lb |
| Exterior | <p>Side panels: Metal sheet with sand-structured powder coating. Fixed with magnets and easily exchangeable.</p> <p>Front and back trims: Covered with medical-grade antibacterial laminate. Fixed with magnets and easily exchangeable.</p> |
| Glass | Sound Control laminated safety glass. Sound insulation STC 40 dB |
| Walls/structure | EchoFree panel - sandwich element and structure of FSC™ birch plywood, ecological foam and acoustic felt. Sound insulation STC 49 dB. Acoustic absorption class A |
| Roof | EchoFree panel - sandwich element of birch plywood and acoustic felt. Sound insulation STC 49 dB. Acoustic absorption class A |
| Floor | Sandwich element of birch plywood, acoustic wool. Acoustic absorption Class B |
| Carpet | Antistatic and stain resistant low loop pile carpet for public spaces, EN 1307. Flammability B _{fl-s1} |
| Door handedness | Right- or left-handed door |
| Furniture | Optional. Different sets are available |
| Air ventilation | Low energy-consumption automatic air circulation system (stand by 1,7 W; in operation 3,4 W). Air circulation speed is at least 27 l/s |
| Electrical connections | Black socket with 110-240 V (10 A) + USB-A+C |
| Power cord | 5m long cord with plug type depending on the region. Connection either from the top or bottom of the pod, can be chosen during installation. |
| Lighting | 3000K or 4000K automatic LED lightning (6,7 W, 900 lm). Low consumption, energy-efficient |
| Casters | For moving during installation and easy relocation. Hidden. Can be activated any time. |
| Adjustable legs | For levelling. Levelling from inside the booth |

CERTIFICATION

| | |
|-------------------------------|--|
| Product safety | UL962 Listed |
| Electrical safety | CE-mark / UL962 Listed |
| Fire safety | Class A according to UL 723, ASTM E84, ASTM E162 (walls and ceiling) |
| Emissions | Indoor Advantage™ Gold certified by SCS Global Services |
| Speech level reduction | 30,1 dB / Class A according to ISO 23351-1, measured in accredited lab |
| Airborne sound insulation R'w | 40 dB according to ISO 16283-1 and ISO 717-1, measured on site by an accredited specialist |
| Sound transmission class STC | 41 dB according to ASTM E90, measured on site by an accredited specialist |



Space 1 extra features



Self-closing door hinges



Retractable coat/bag hook



Control panel



Sprinkler prep



Seismic kit



Occupancy light

EXTRA FEATURE

Self-closing door hinges

LAN/RJ45/HDMI connections

Control panel

Airflow dimmer, light brightness dimmer, light temperature selection and controls for optional extras (face light, smart glass etc.)

Occupancy light

Frosted film on glass

Retractable coat/bag hook

Sprinkler prep

Knockout with a tube inside. The ceiling module for housing a sprinkler. Does not include a sprinkler. Sprinkler needs to be installed by a certified company.

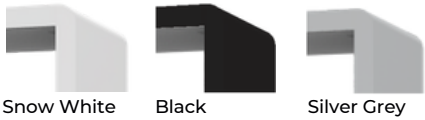
Seismic kit

Brackets to mount the floor module to the existing floor with anchor bolts



Options for surfaces

Standard colours



Snow White Black Silver Grey

Veneer



Oak Veneer Dark Oak Veneer

Extra colours

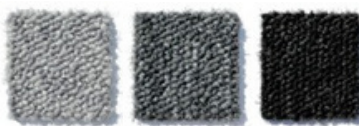


Standard wall and ceiling



Light gray Dark gray Black Sand

Standard floor



Light gray Dark gray Black

Standard profiles



White Anodized gray Black

Textile sides (Camira Quest)*



* Only for Silén Dynamics Generation

Fully upcycled Furniture textiles with 70% marine plastic content

